

MORGAN BODY PARTS QUICK REFERENCE GUIDE



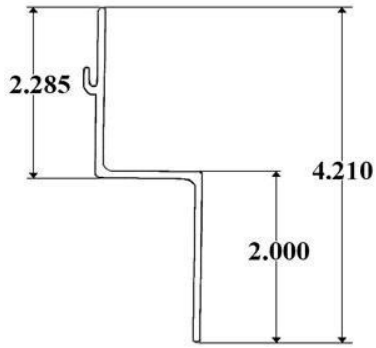
Parts & Service, Inc.

563 Cortlandt Street – Belleville, NJ 07109

(800) 645-4344 – www.fleetpartsonline.com

MORGAN

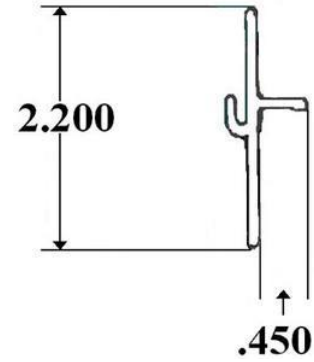
01020/112 – Vertical Connector (GVSD)



112" L

Interchanges with: Morgan 00165

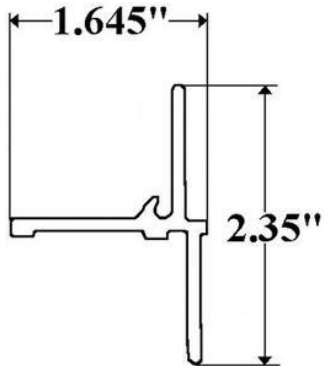
01021 – Vertical Connector (GVFD)



108" L

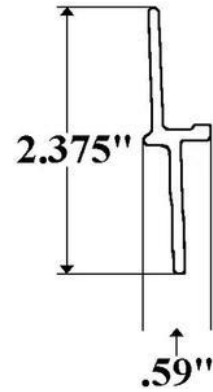
Interchanges with: Morgan 001481 & 001483

01025 – Horizontal Connector (GVSD)



Interchanges with: Morgan 14142

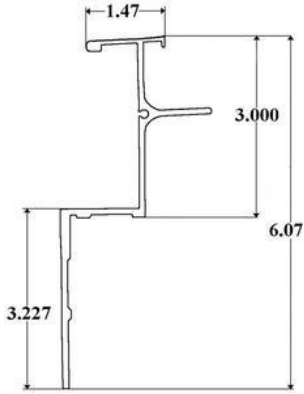
01026 – Horizontal Connector (GVFD)



Interchanges with: Morgan 6900146

MORGAN

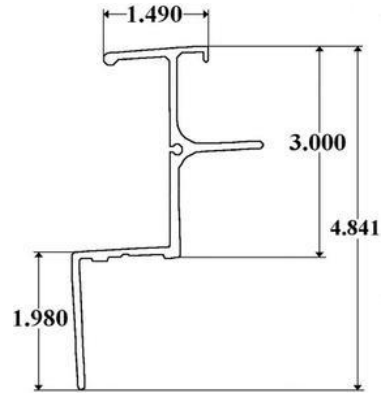
1002 – Top Rail (GVSD thru 3/97)



1-3/8" Roof Bow

Available in 32' and Per foot lengths

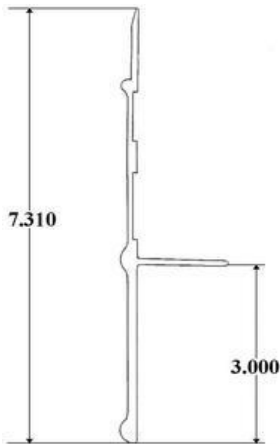
1002F – Top Rail (GVFD thru 3/97)



1-3/8" Roof Bow

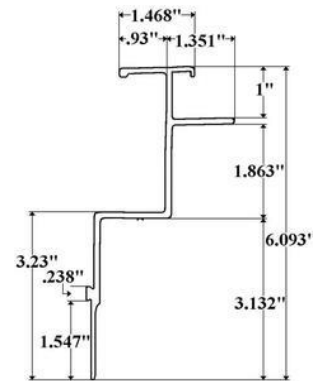
Available in 28' and Per foot lengths

1003 – Bottom Rail (GVFD & GVFD)



Available in 8', 16', 28' and Per foot lengths

1006 – Top Rail (GVSD, New Style)

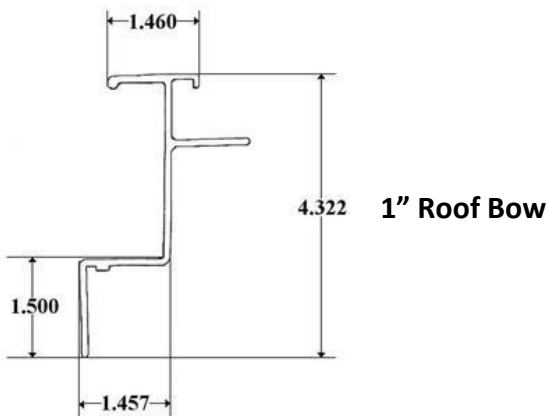


1" Roof Bow

Available in 16', 18', 24', 28', 32' and Per foot lengths

Interchanges with: Morgan 00015904

1006F – Top Rail (GVFD, New Style)

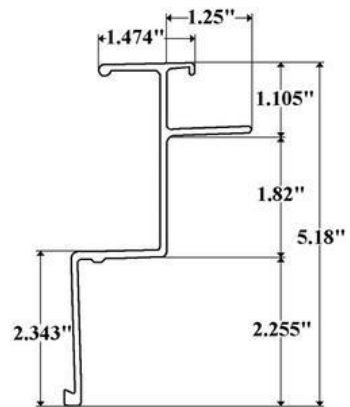


1" Roof Bow

Available in 16', 24', 28' and Per foot lengths

Interchanges with: Morgan 000507

1007F – Top Rail (GVFD, New Style 2003)



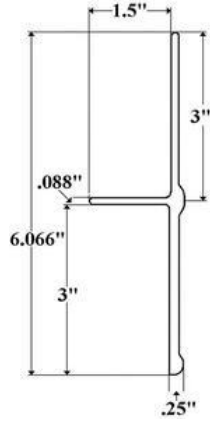
1" Roof Bow

Available in 16', 24', 28' and Per foot lengths

Interchanges with: Morgan 0033901

MORGAN

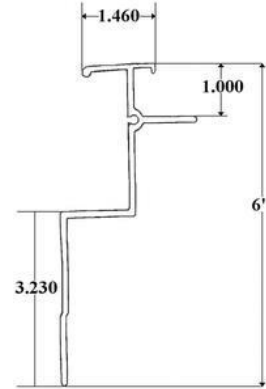
1008F – Bottom Rail (GVFD from 1997)



Available in 8', 16', 24', 28' and Per foot lengths

Interchanges with: Morgan 1403809

1009 – Top Rail (GVSD from 4/97)

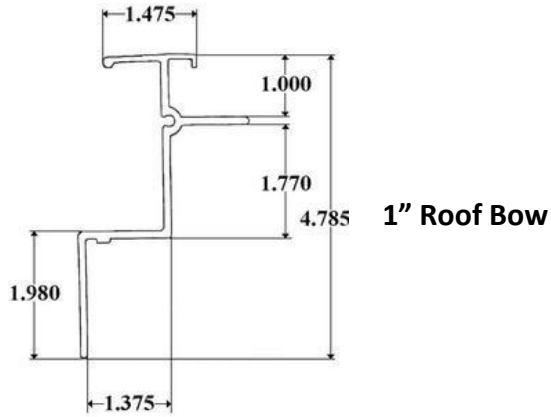


1" Roof Bow

Available in 16', 24', 28', 32' and Per foot lengths

Interchanges with: Morgan 0001404 & 0001409

1009F – Top Rail (GVFD from 4/97)



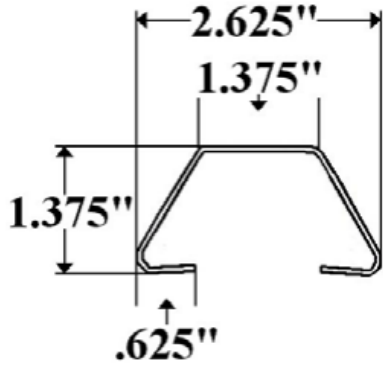
1" Roof Bow

16', 24', 28' and Per foot lengths

Interchanges with: Morgan 0001709

MORGAN

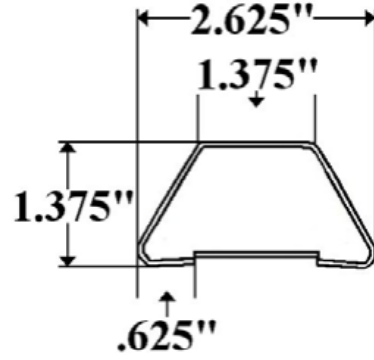
1050/92 & 98 – Starter Bow



1-3/8" – Reverse Arch

Available in 92" and 98" lengths

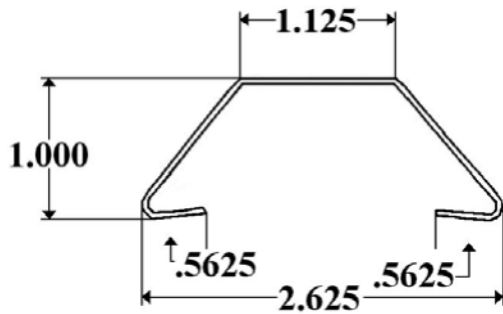
1050/92M & 98M – Starter Bow w/Tab



1-3/8" – Reverse Arch

Available in 92" and 98" lengths

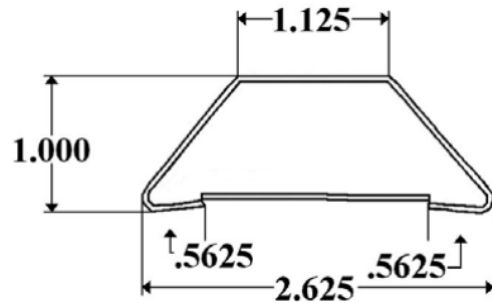
1050/92-1 & 98-1 – Starter Bow



1" – Reverse Arch

Available in 92" and 98" lengths

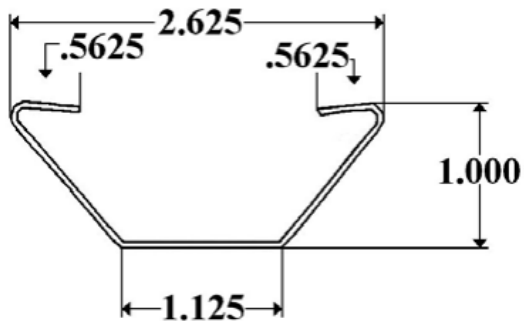
1050/92-1M & 98-1M – Starter Bow w/Tab



1" – Reverse Arch

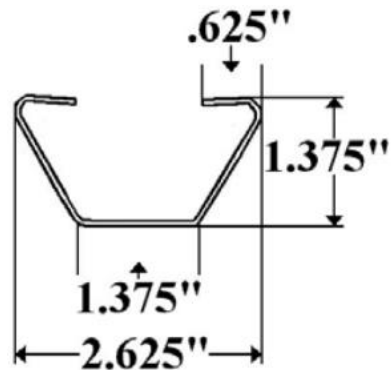
Available in 92" and 98" lengths

420-1D & 1E – 1" Roof Bow



Available in 92" and 98" lengths

421-1D & 1E – 1-3/8" Roof Bow



Available in 92" and 98" lengths

Interchanges with: Morgan 5005710

MORGAN

FF/MOR/GM – Fuel Filler Neck Housing



Interchanges with: GM 15629096

SDS-MOR/GUSSET – SIDE DOOR STEP GUSSET



Interchanges with: Morgan 10121091

SDS-MOR/STEP – STEEL STEP ASSEMBLY



Interchanges with: Morgan 45600954

SDS-MOR/SIDE DOOR DOUBLE STEP – STEEL STEP ASSEMBLY



Interchanges with: Morgan 45600957

MORGAN

FP1000L – Left/Front Corner Cap



Interchanges with: Morgan 0066710

FP1000R – Right/Front Corner Cap



Interchanges with: Morgan 006671

FP1050L – Left/Front Mini Cap



Interchanges with: Morgan 006932

FP1050R – Right/Front Mini Cap



Interchanges with: Morgan 006931

FP1100L – Left/Front Plastic Corner Cap



Mounts behind corner radius & under roof radius

Interchanges with: Morgan 62661

FP1100R – Right/Front Plastic Corner Cap



Mounts behind corner radius & under roof radius

Interchanges with: Morgan 62660

MORGAN

**FP1200L – Left/Front Plastic Corner Cap
(2002 version)**



Mounts over corner radius and over roof radius

Interchanges with: Morgan 62665

**FP1200R – Right/Front Plastic Corner Cap
(2002 version)**



Mounts over corner radius and over roof radius

Interchanges with: Morgan 62664

CCR-GVFD – Corner Cap Reinforcement



Interchanges with: Morgan 12325

CCR-GVSD – Corner Cap Reinforcement



Interchanges with: Morgan 12326

MORGAN

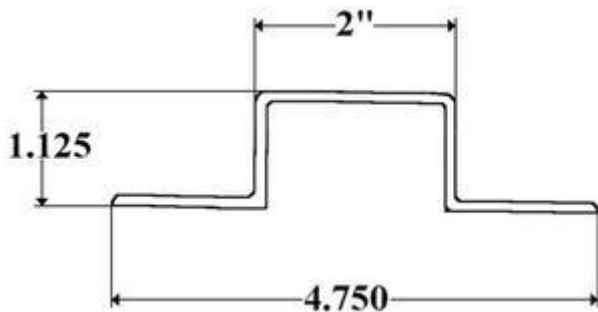
RC-101 – Rear Cap



RC-6943 – Rear Casting



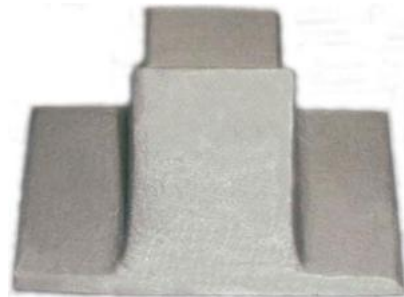
RR531 – Rub Rail



Available in 26', 28', 32' and Per foot lengths
Use with End Cap 531

Interchanges with: Morgan 0045540

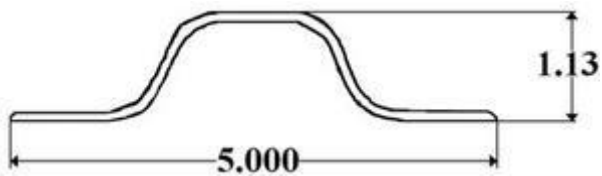
531 – End Cap



Use with Rub Rail RR531

Interchanges with: Morgan 00697

RR1000 – Rub Rail



***Available in 175.25", 16', 20', 295.25", 26', 28'
and Per foot lengths***

Use with End Cap 6971

Interchanges with: Morgan 004558

6971 – End Cap



Use with Rub Rail RR1000

Interchanges with: Morgan 006972

MORGAN

1010 – Corner Radius



Available in aluminum & stainless steel

Available in 96" and 104" lengths

Interchanges with: Morgan 00659 (96" alum.),
00660 (104" alum.), 13547 (96" stainless),
01424 (104" stainless)

1012 – Roof Radius



Available in aluminum & stainless steel (80.88" or 86.88") & Penske yellow (96")

Interchanges with: Morgan 13500 (80.88" alum.),
13410001 (80.88" stainless), 13502 (86.88" alum.),
13410002 (86.88" stainless),
135016/006528 (96" Penske yellow)

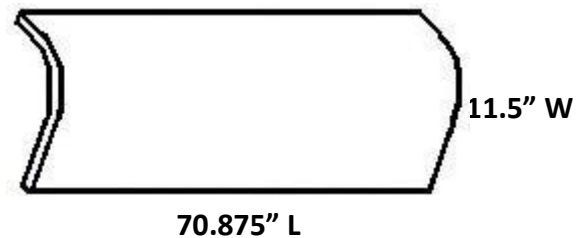
1014M – Corner Radius



Available in 96" and 104" lengths

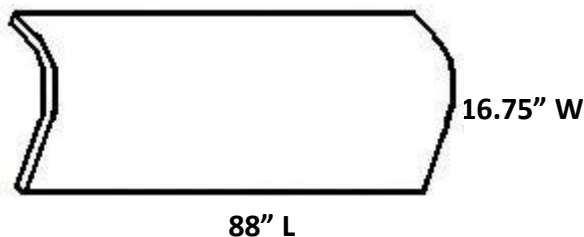
Interchanges with: Morgan 006533 & 0065363

1015 – Roof Radius



Interchanges with: Morgan 0065422

1016M – Corner Radius



Interchanges with: Morgan 0065363

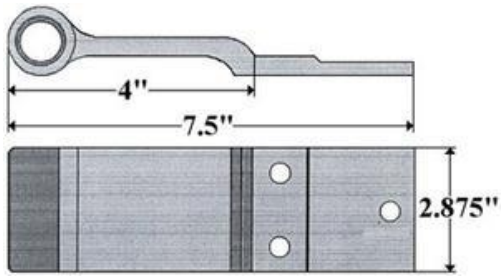
066450 – Fiberglass Cap



Interchanges with: Morgan 06645 & 066450

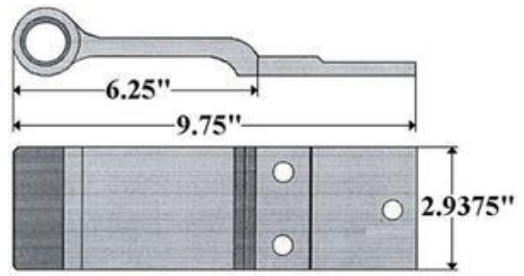
MORGAN

4141 – Side Door Hinge



Use with: 671 Hinge Butt & 8730 Hinge Pin

4161 – Rear Door Hinge



Use with: 671 Hinge Butt & 8730 Hinge Pin

671 – Hinge Butt



Use with: 8730 Hinge Pin & 4141 or 4161 Hinge

8730 – Hinge Pin



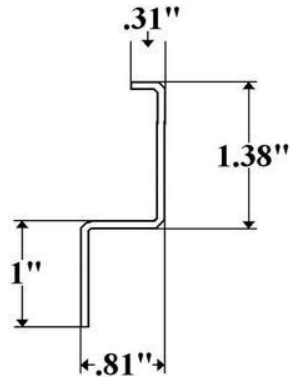
Use with: 671 Hinge Butt & 4141 or 4161 Hinge

226 – Hinge Butt (New Style)



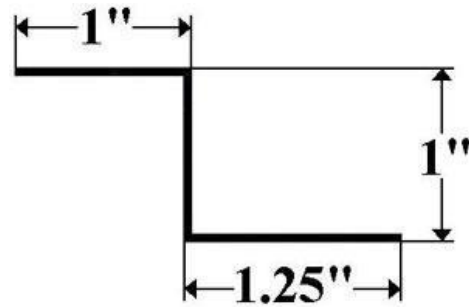
MORGAN

00010 – Steel Slat Spacer



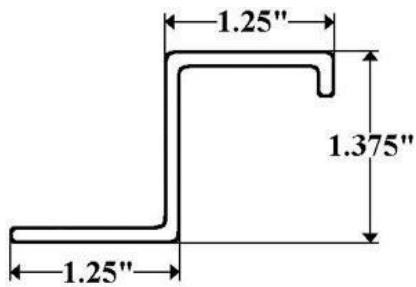
107" Length
Used with Wooden Apitong Slats

331-2 – Roof Bow (1")



Used from 4/1997 (Reefer body)

332-2D, 2E & 2F – Aluminum Z-Post

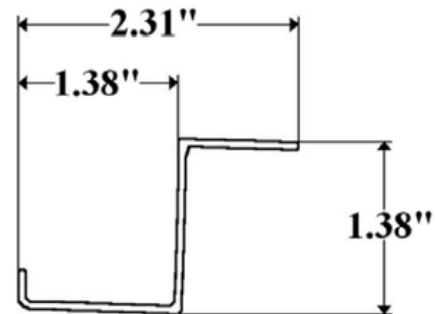


Also used as Roof Bow for Reefer body

Available in 97", 108" & 112" lengths

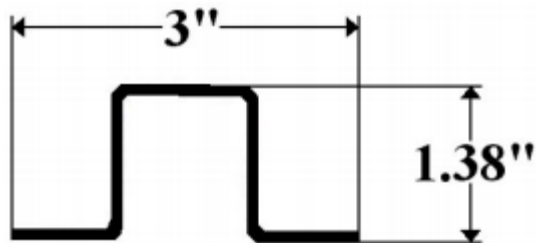
Interchanges with: Morgan 14209 & 14211

S332-2E – Front Wall Post



108" Length

S1022 – Steel Hat Post

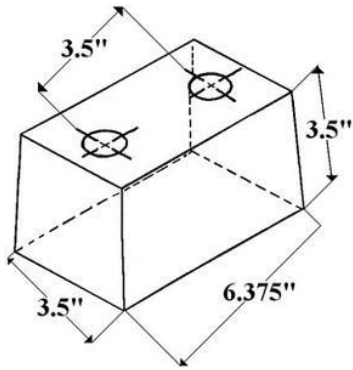


107" Length

Interchanges with: A0000219

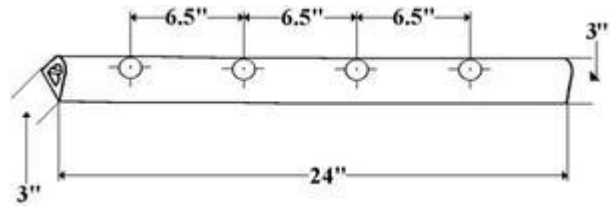
MORGAN

DB1 – Dock Bumper

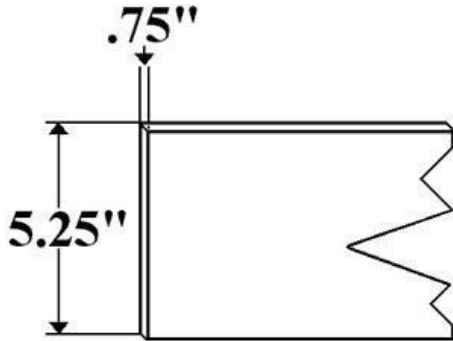


Interchanges with: Morgan 07621

DB4 – Dock Bumper

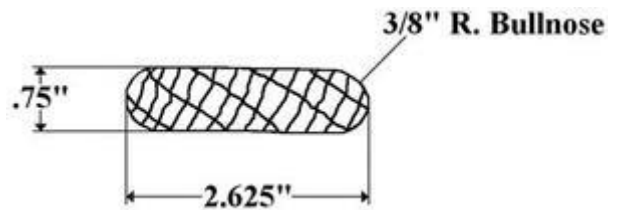


AB – Wooden Apitong Base



*** Available in 16', 18', 26' & Per foot lengths***

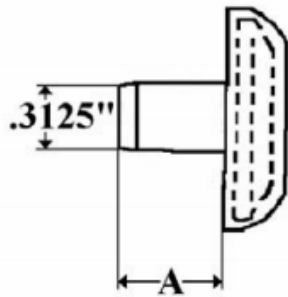
AS – Wooden Apitong Slat



*** Available in 10', 16', 26' & Per foot lengths***

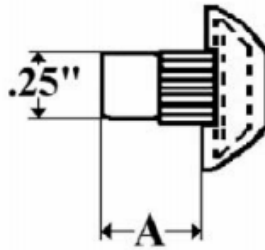
MORGAN

T-Nut



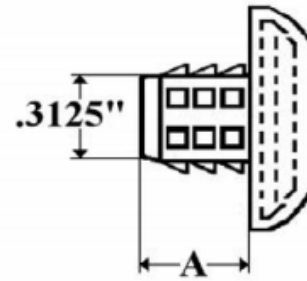
5/16-18X7/16 Grey
5/16-18X7/16 White
5/16-18X5/8 White

Ribbed T-Nut



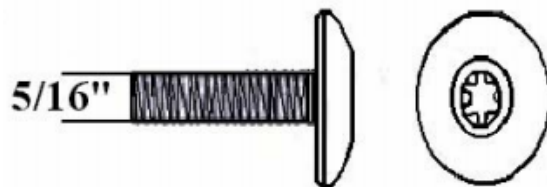
1/4-20 X 1/2 Grey
1/4-20 X 1/2 White
5/16-18-7/16 Grey
5/16-18-7/16 White

Barbed T-Nut



5/16 X 1/2 Barbed White

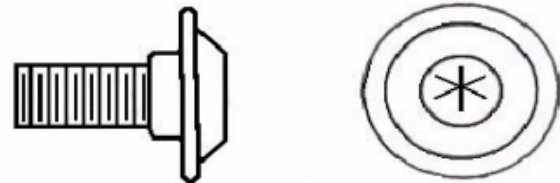
T-Nut Bolt



5/16-18X1/2" Torx HD
5/16-18X3/4" Torx HD
5/16-18X1" Torx HD

All with Patch
Uses TX 40 Bit

Washer Head Bolt



WHB 1/4-20X1/2"
WHB 1/4-20X5/8"
WHB 5/16-18X1/2"
WHB 5/16-18X5/8"

All with Patch
1/4" use TX 30/ 5/16" use TX 40 Bit

Camtainer Bolt



880-60411
880-60501
800-60718

All with Patch

Camtainer Nut



890-47000
890-48000
890-50000

Uses TX40 Bit